

# MODIFICATION SHEET

## FLEETWOOD RADIO

### MODELS 1061A-B

NOTE: This sheet should be read in conjunction with the service data sheet for Model 1061A.

#### MODEL 1061A.

A change in respect of the back bias resistor was made to this version. Details are:—

R13 changed value from 75 ohms to 47 ohms  
 $\frac{1}{2}$ W 10%.

R16 changed value from 200 ohms to 220 ohms  
 $\frac{1}{2}$ W 10%.

Voltage drop across R13, -2 volts.

For circuit diagram refer Model 1061A service data.

#### MODEL 1061B.

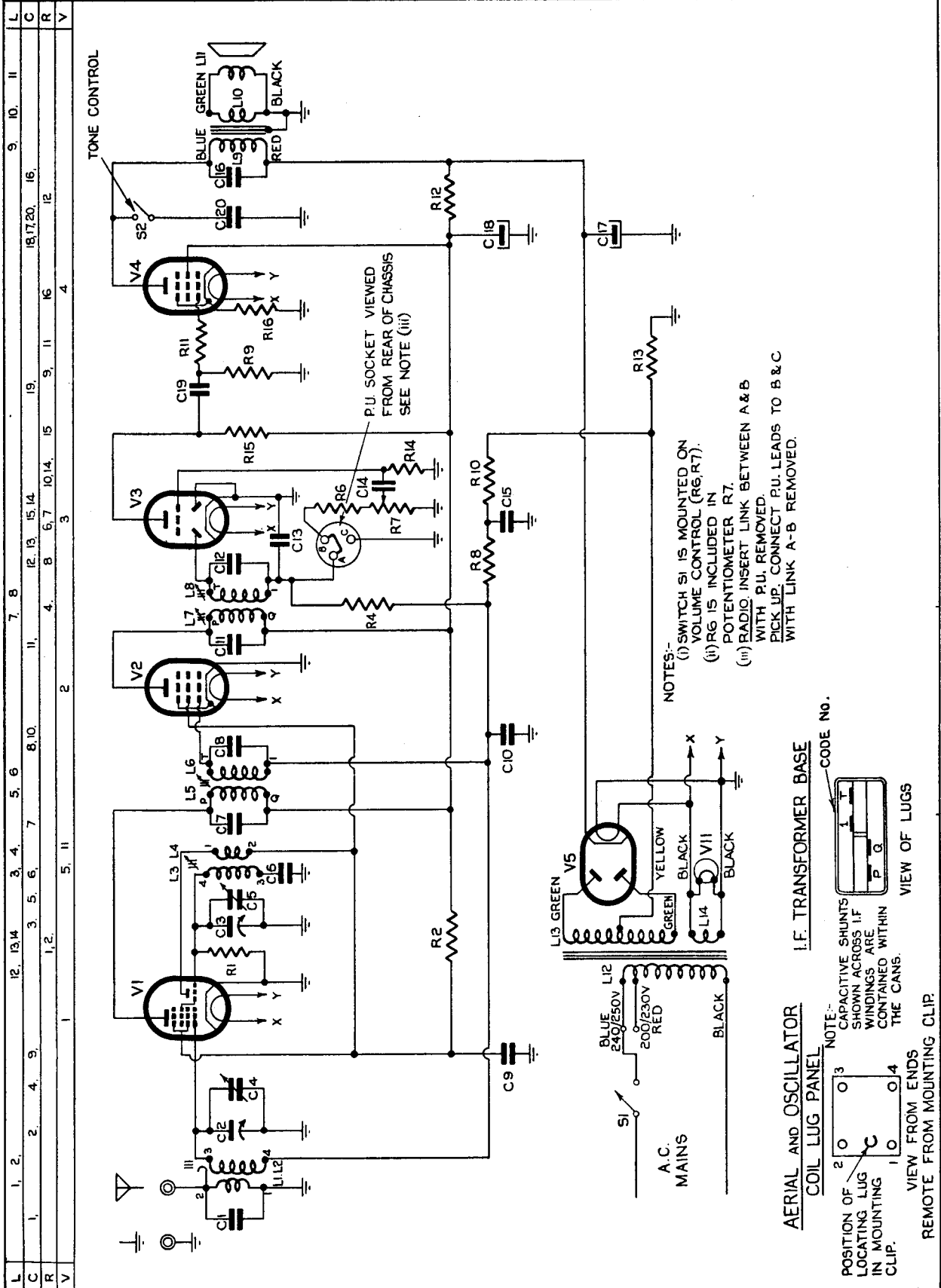
Model 1061B is the same as Model 1061A except for a change in I.F. transformers. Details are:—

L5	8.0-9.0 ohms	}	1st I.F.T.	A3.126.84
L6	4.7-5.2 ohms			
L7	8.0-9.0 ohms	}	2nd I.F.T.	A3.126.84
L8	4.7-5.2 ohms			

I.F. channel alignment procedure is the usual procedure of peaking slugs in normal succession, i.e., 2nd I.F.T. sec., 2nd I.F.T. prim., 1st I.F.T. sec., 1st I.F.T. prim.

Circuit details are as shown overleaf.

FLEETWOOD  
 DIVISION OF PHILIPS ELECTRICAL INDUSTRIES PTY. LIMITED



L	1, 2	12, 13, 14	3, 4	5, 6	7	8, 10	2	7, 8	11	12, 13, 15, 14	19	9, 10, 11
C	1	2	3, 5, 6	7	8, 10	11	4	4	4	8, 9, 11, 16	12	18, 17, 20, 16
R	1	1, 2	3, 4, 5, 6	7	8, 10	11	2	3	3	4, 5, 6, 7, 10, 14, 15	9, 11	16
V	1	1, 2	3, 4, 5, 6	7	8, 10	11	2	3	3	4, 5, 6, 7, 10, 14, 15	9, 11	16

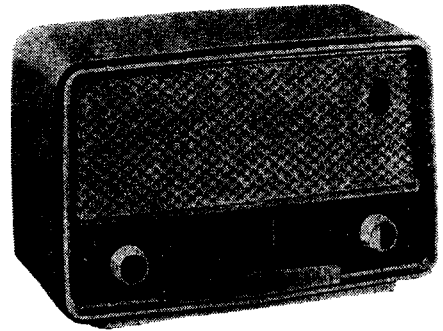
## FLEETWOOD RADIO

## MODEL 1061A

## SPECIFICATIONS

(Subject to alteration without notice)

Power Supply	.....	.....	200-250V, 40-50 c/s.
Tuning Range	.....	.....	530-1620 kc/s.
Intermediate Frequency	.....	.....	455 kc/s.
Cabinet	.....	.....	Bakelite mantel



## VALVE EQUIPMENT AND VOLTAGE ANALYSIS

Valve Function	Valve No.	Valve Type	Plate Volts	Screen Volts	Osc. P. Volts	Bias Volts
Frequency Converter	V1	6AN7	223	40	40	—
I.F. Amplifier	V2	6BH5	223	40	—	—
Audio Amplifier, A.V.C. and Demodulator	V3	6BD7	55	—	—	—
Power Amplifier	V4	6M5	221	223	—	6.5
Rectifier	V5	6V4	Cathode — L13 C.T., -239V.			
Dial Lamp	V11	6.3V, 0.32A tubular screw				
Voltage across R13, -2.7V.						

NOTE: These voltages are measured with an "1,000 ohms per volt" meter and may vary  $\pm 10\%$  from the figures quoted. They are measured from the socket points indicated to chassis, or across the resistor listed. The receiver should be in a "no signal" condition.

## TO REMOVE CHASSIS FROM CABINET.

Remove the power plug from the wall outlet socket. Pull the control knobs from their spindles. Remove the combined back and bottom cover. Unsolder the speaker voice coil connections from the lug strip alongside the output transformer. Unwind the dial cursor from the dial drive cord.

The chassis is held to the cabinet by two screws at the rear. Removal of the two screws and the associated mounting brackets and packing pieces allows the chassis to be withdrawn from the cabinet leaving the speaker and dial scale in the cabinet.

The chassis may be replaced by a reversal of the above procedure.

## DIAL SCALE REMOVAL.

The dial scale is removed from the front of the cabinet. The control knobs must first be removed. In removing the dial scale securing screws, care must be taken to ensure that damage is not caused to the scale by tools. The best tool to use is a 9/32" spintite blined off so that its face does not touch the scale.

## ALIGNMENT.

By making use of short length tools, alignment can be undertaken with the chassis in the cabinet.

I.F. transformer adjustments are:—

2nd I.F.T.—

Secondary — front screw

Primary — rear screw

1st I.F.T.—

Secondary — screw nearer 6N8

Primary — screw nearer 6AN7

Before commencing R.F. alignment, fully close the tuning capacitor and set the dial cursor to the stop mark which will be found at the bottom of the dial scale at the low frequency end. Use an 100 pF capacitor as dummy aerial for R.F. alignment. Trimming adjustments are: oscillator trimmer (1,420 kc/s, 3XY) front of tuning capacitor, aerial trimmer (1,420 kc/s) rear of tuning capacitor, padding (600 kc/s, 7ZL) iron core in oscillator coil.

In the event of replacement of the oscillator coil, it is advisable to make a preliminary peaking of the iron core at 600 kc/s before commencing alignment.

**No attempt should be made to adjust the aerial coil iron core.**

## MAINS VOLTAGE ADJUSTMENT.

The power transformer is provided with two primary winding tappings—200/230 volts and 240/250 volts—for adjustment of the receiver to the supply voltage at the point of installation. The receiver is adjusted at the factory to the 240/250 volts tapping.

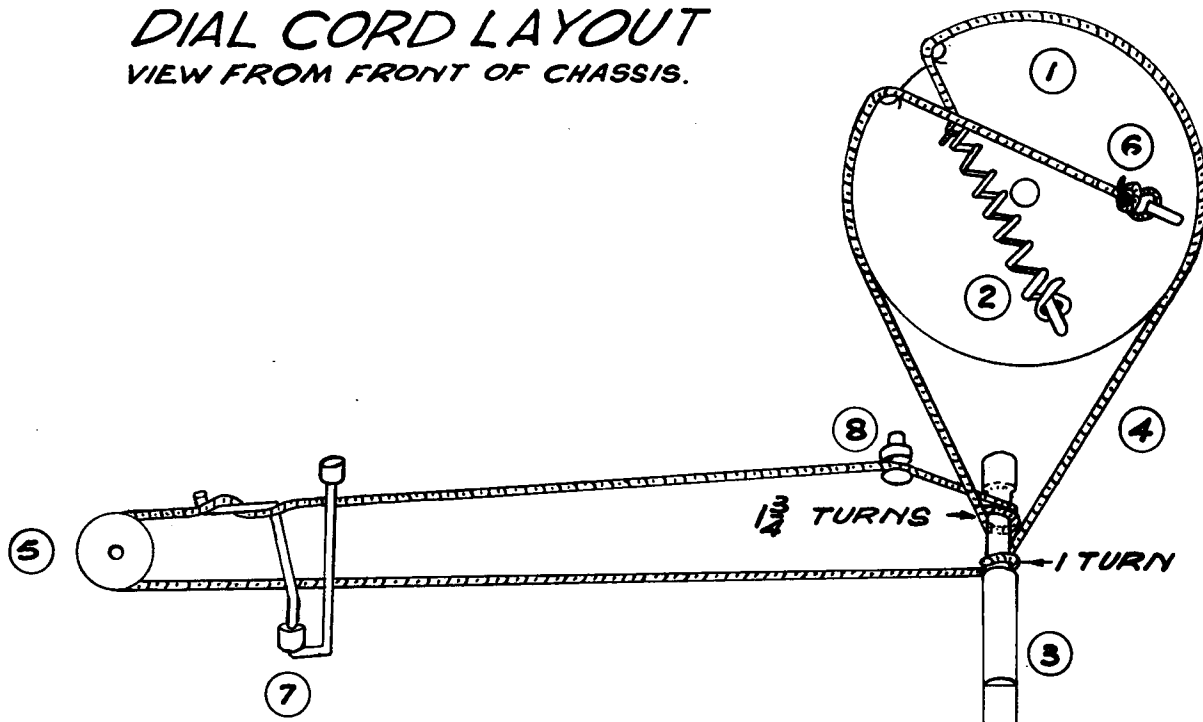
## DIAL CALIBRATION ADJUSTMENT.

If dial calibrations are incorrect over the dial scale by an equal amount, the error can be corrected by sliding the cursor on the dial cord to the correct position.

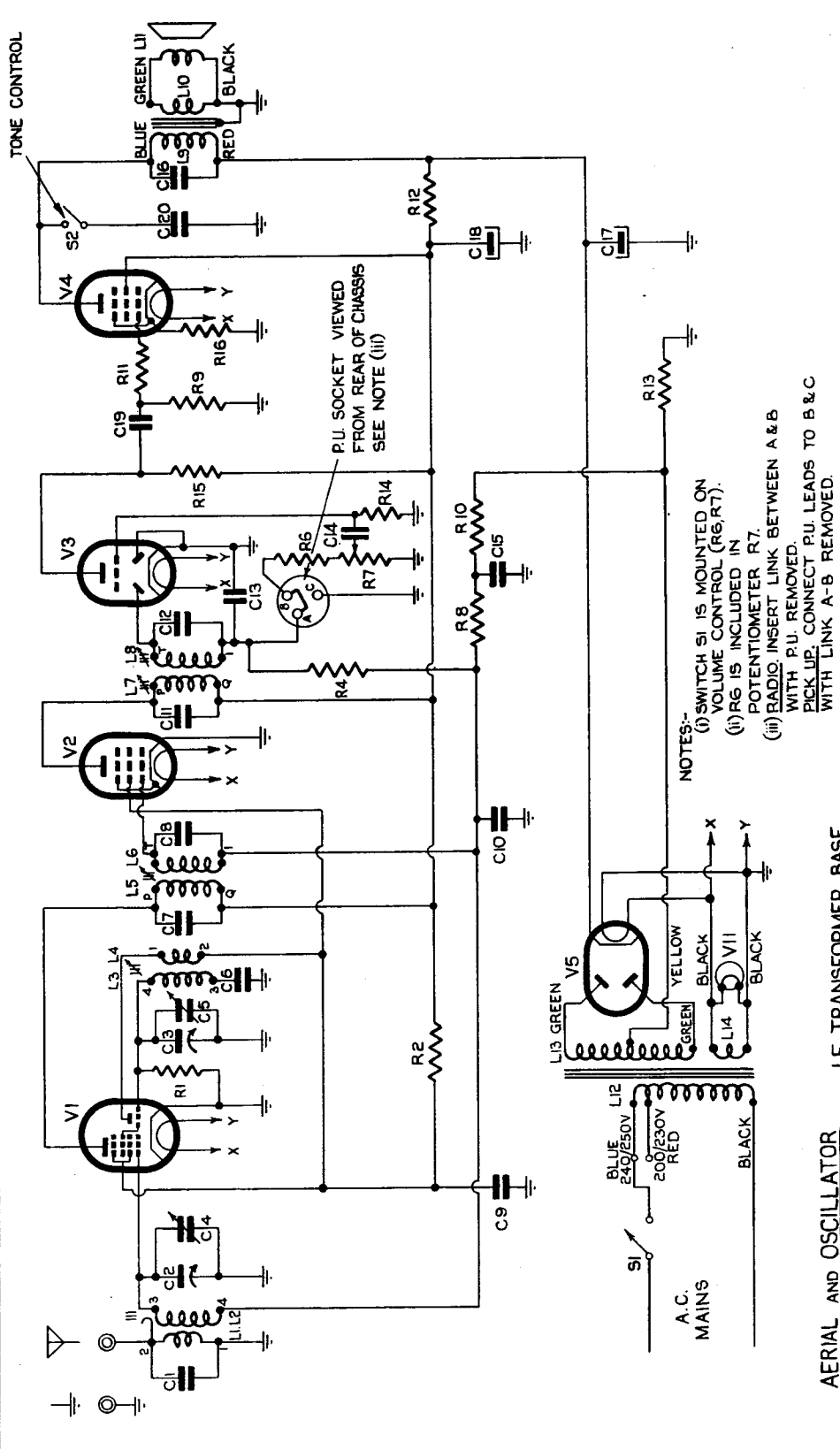
### MISCELLANEOUS COMPONENTS

No. on Dial Cord Layout Drawing	Description	Code No.	No. on Dial Cord Layout Drawing	Description	Code No.
7	Assembly, cursor	CR.480.662	—	Clip, spring (I.F.T. mtg.), 2x	A3.652.58
—	Assembly, lampholder	CZ.367.920	4	Cord, dial drive	37" of cord required
—	Badge, Fleetwood	CR.531.420	1	Drum, dial	CS.359.806
—	Bracket, cabinet back mtg., 3x	CS.244.602	—	Knob, control, 2x	CR.523.715
—	Bracket, cabinet back mtg., 3x	CS.244.602	—	Prism, dial scale	23.678.74
—	Cabinet—		5	Pulley, dial	CS.359.602
Blue		CR.573.403	6	Ring, dial cord	CS.281.807
Burgundy		CR.573.402	—	Scale, dial	CS.412.393
Green		CR.573.404	—	Screw, dial scale mtg., 2x	CS.258.852
Ivory		CR.573.401	3	Spindle, tuning	CS.351.358
Walnut		CR.573.400	2	Spring, dial drum	CS.210.029
			—	Spring, knob retaining, 2x	CS.281.832
			—	Switch, T/C	CZ.222.007

**DIAL CORD LAYOUT**  
VIEW FROM FRONT OF CHASSIS.

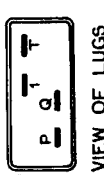


L	1, 2, 3, 4, 5, 6, 7, 8, 9, 10, 11, 12, 13, 14, 15, 16, 17, 18, 19, 20	9, 10, 11
C	1, 2, 3, 4, 5, 6, 7, 8, 9, 10, 11, 12, 13, 14, 15, 16, 17, 18, 19, 20	12, 13, 14, 15, 16, 17, 18, 19, 20
R	1, 2, 3, 4, 5, 6, 7, 8, 9, 10, 11, 12, 13, 14, 15, 16, 17, 18, 19, 20	12, 13, 14, 15, 16, 17, 18, 19, 20
V	1, 2, 3, 4, 5, 6, 7, 8, 9, 10, 11, 12, 13, 14, 15, 16, 17, 18, 19, 20	12, 13, 14, 15, 16, 17, 18, 19, 20

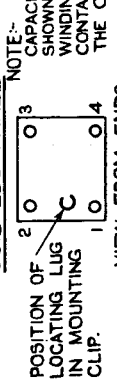


NOTES:-  
 (i) SWITCH S1 IS MOUNTED ON VOLUME CONTROL (R6, R7).  
 (ii) R6 IS INCLUDED IN POTENTIOMETER R7.  
 (iii) RADIO INSERT LINK BETWEEN A & B WITH P.U. REMOVED.  
 PICK UP, CONNECT P.U. LEADS TO B & C WITH LINK A-B REMOVED.

**I.F. TRANSFORMER BASE**



**AERIAL AND OSCILLATOR COIL LUG PANEL**



VIEW FROM ENDS  
 REMOTE FROM MOUNTING CLIP.

VIEW OF LUGS

## PARTS LISTS

SERVICE DATA

1061A

## CAPACITORS

No.	Description	Code No.
C1	100 pF mica.	
C2, 3, 4, 5	2 gang tuning with trimmers	CZ.107.749
C6	330 pF mica 2%	CZ.066.124
C7, 8, 11, 12	Part of I.F. transformers	
C9	0.05 mF 400V paper	
C10, 15	0.05 mF 200V paper	
C13	250 pF mica	
C14	0.02 mF 400V paper	
C16	0.01 mF 600V paper	
C17, 18	24 mF 350V electrolytic	
C19	0.005 mF 600V paper	
C20	0.02 mF 600V paper	

All tolerances are 20% unless otherwise specified.

All tolerances are 20% unless otherwise specified.

## RESISTORS

No.	Description	Code No.
R1	22,000 ohms ½W carbon	
R2	47,000 ohms 1W carbon	
R4, 10	3.3 megohms ½W carbon	
R6, 7	0.5 megohm carbon potentiometer with stop at 0.1 megohm and S.P.T. switch	CZ.032.013
R8	2.2 megohms ½W carbon	
R9	1 megohm ½W carbon	
R11	47,000 ohms ½W carbon	
R12	1,000 ohms 1W carbon	
R13	75 ohms ½W W/W 10%	
R14	10 megohms ½W carbon	
R15	220,000 ohms ½W carbon	
R16	200 ohms ½W W/W 10%	

All tolerances are 20% unless otherwise specified.

## COILS

No.	Ohms	Description	Code No.
L1	24.0-32.5	Aerial coil	CZ.323.019
L2	2.0-3.0		
L3	1.0-2.0	Oscillator coil	CZ.330.606
L4	3.5-5.0		
L5	11.5-15.5	1st I.F. transformer	A3.124.25
L6	11.5-15.5		
L7	11.5-15.5	2nd I.F. transformer	A3.124.25
L8	11.5-15.5		
L9		Output transformer 7,000 ohms	Type EBG96
L10			
L11		Speaker	Type 5C, F87
L12	55-75	Power transformer	CZ.344.084
L13	630-850		
L14	<1		

**IMPORTANT! In ordering spare parts, quote CODE NUMBER of part and MODEL NUMBER of Receiver. In claiming free replacement under GUARANTEE, return defective part PROMPTLY and quote MODEL and SERIAL NUMBER of Receiver and DATE OF PURCHASE.**